

STRATUS HVP

HEPA FILTRATION AIR CLEANING DEVICE



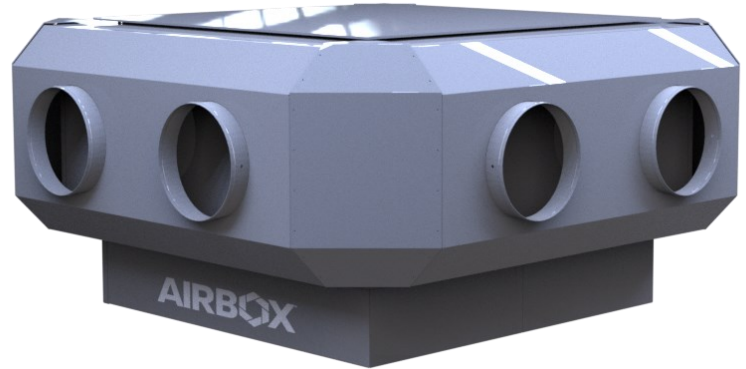
PRODUCT DESCRIPTION

AIRBOX Stratus HVP is a high-capacity air cleaning system designed to disperse clean air throughout every section of large open areas. The Stratus HVP is a discrete suspended solution that utilizes a configurable 3-Stage Filtration System to provide Equivalent Clean Airflow (V_{ACS}). The Stratus features eight duct flanges allowing filtered air to be distributed with ease. In addition, Stratus HVP is equipped with the Smart Fleet Management® platform, which allows AIRBOX units to run on differing schedules and keeps track of actual filter life and other maintenance needs, and a direct drive ECM Fan for maximized efficiency. The Stratus HVP also qualifies the space for ASHRAE 62.1 IAQP (Indoor Air Quality Procedure) through the use of air cleaning with recirculation, which could allow for a reduction in the amount of outdoor air required and HVAC energy if all specified Design Compounds (DCs) are maintained below their design limits specified in ASHRAE 62.1.

COMPLIANCE AND PERFORMANCE SPECIFICATIONS

ASHRAE 241-2023	Compliant*
UL Listed	Listing in Progress*
IEST-RP-CC007	Certified 99.99% HEPA Filter
US DOE-STD-3020-2015	
UL900	
Bioaerosol Testing	Available upon Request*
Efficacy Testing	Available upon Request*

*Compliance Testing and Certification in progress



Stratus Without Ducts

TECHNICAL SPECIFICATIONS

Unit Size	37"H x 70"W x 70"D
Weight	495 lbs
Maximum Nominal Air Flow Rate	4,850 CFM
Controls	Standard manual control and Smart Fleet Management System (IOT) allowing for remote adjustment.
Enclosure Material and Finish	Aircraft Grade Aluminum Alloy Outside Skin with Structural Steel Frame
	Powder Coat Finish
Duct Sizes	Trade Size 12
Additional Features	Differential Pressure and TVOC sensors for concentration and filter life monitoring.
Warranty	Transferrable Limited Lifetime Warranty

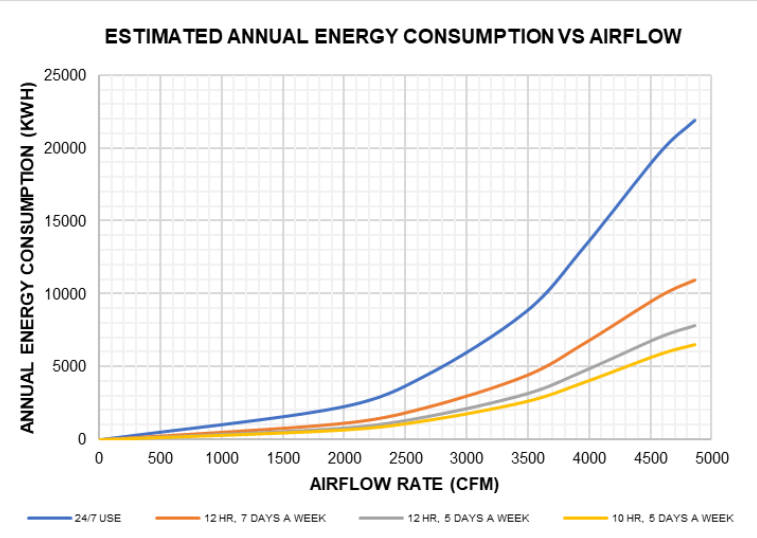
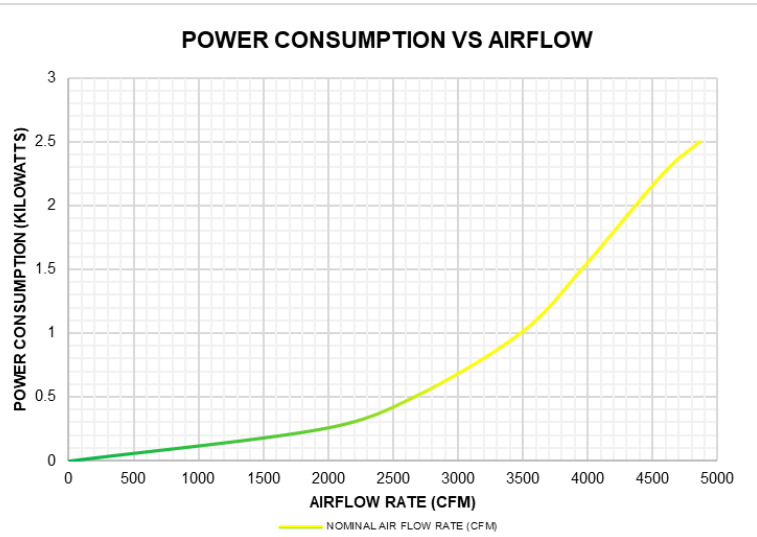
ELECTRICAL SPECIFICATIONS

Operating Voltage	3~ 200-240 VAC
ECM Fan	3~ 200-240 VAC, 50/60HZ, Ball Bearing, IP55 UL Listed
Connectors	Deutsch DT, IP68 Rated

FILTRATION SPECIFICATIONS

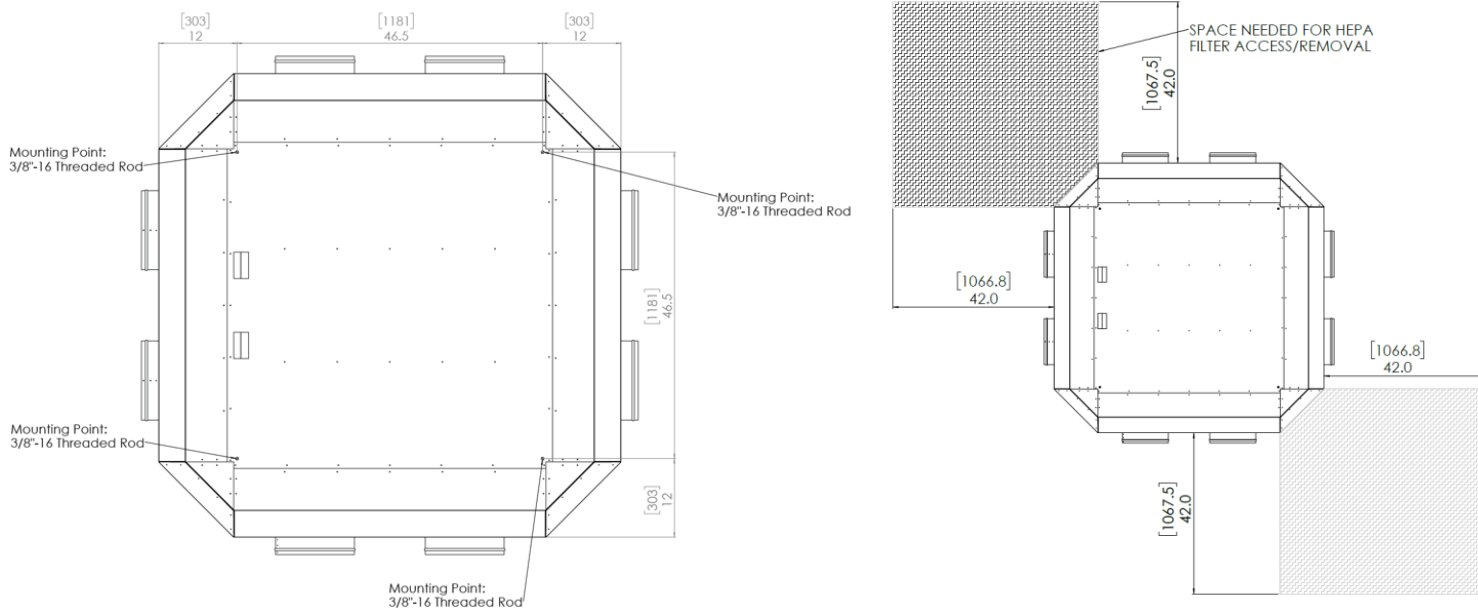
First Stage	Activated Carbon Filter
	MERV 7 4" Activated Carbon with Synthetic Containment Membrane. OZ 5 Rating >50% Ozone Removal Efficiency.
Second Stage	Antimicrobial Filter
	MERV 9 4" Radial Pleated Polyester Treated with Microban Aegis Microbe Shield®
Third Stage	HEPA Filter
	Certified 99.99% Effective 4" Pleated Glass Media Treated with Microban Aegis Microbe Shield®

AIRBOX is regulated by the US Environmental Protection Agency and state governments as a pesticidal device. Accordingly, our air cleaners are packaged and labeled in accordance with EPA regulations under FIFRA section 2(q)(1) and 40 CFR Part 156.
EPA Registered Establishment No.: 97081-NC-1

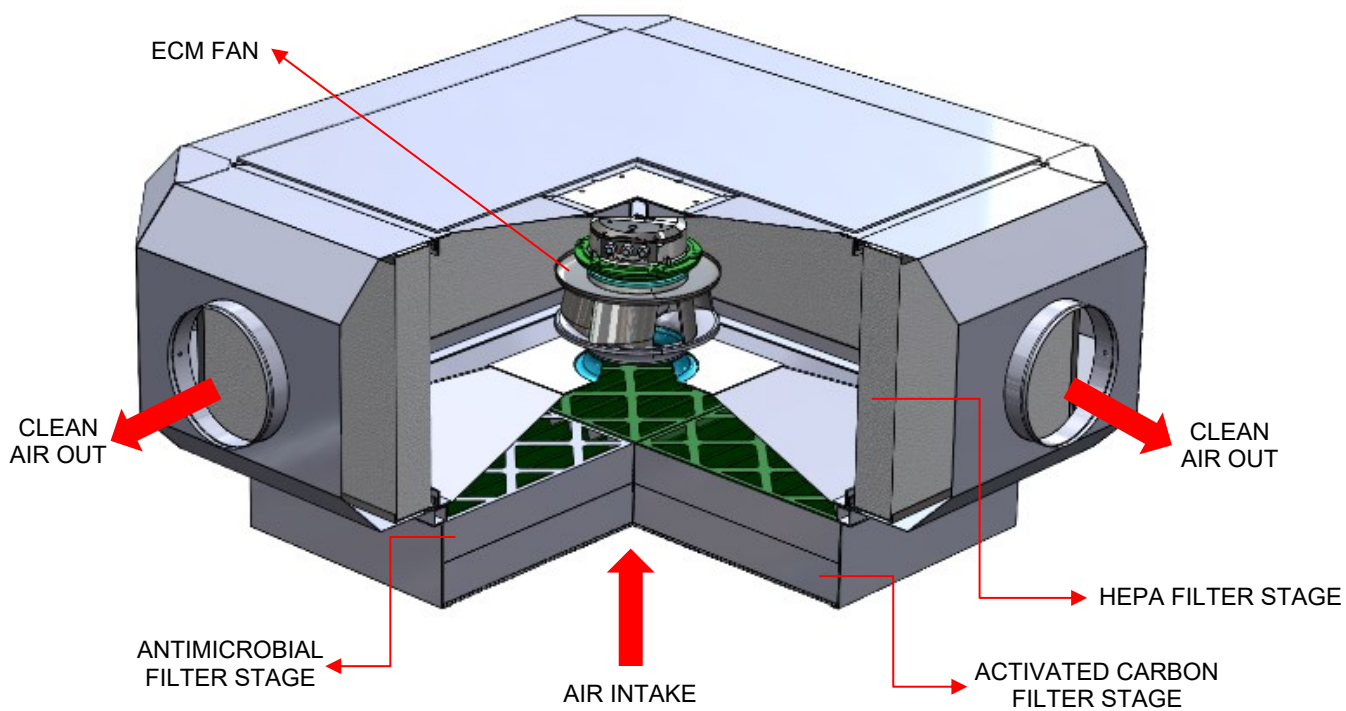


STRATUS HVP

HEPA FILTRATION AIR CLEANING DEVICE



Stratus Installation Requirements



Stratus Section View